

# **FA** FORCE ACCESSORIES

## INSTALLATION GUIDE

### BASH PLATE

## FA-005-YA-18

WR 450 | 2024

YZ 250 F | 2024

YZ 450 | 2023 -2024

YZ 450 FX | 2024

[www.forceaccessories.com.au](http://www.forceaccessories.com.au)

#### PLEASE NOTE

After each ride, check all bolts are tightened firmly to ensure the product doesn't come loose

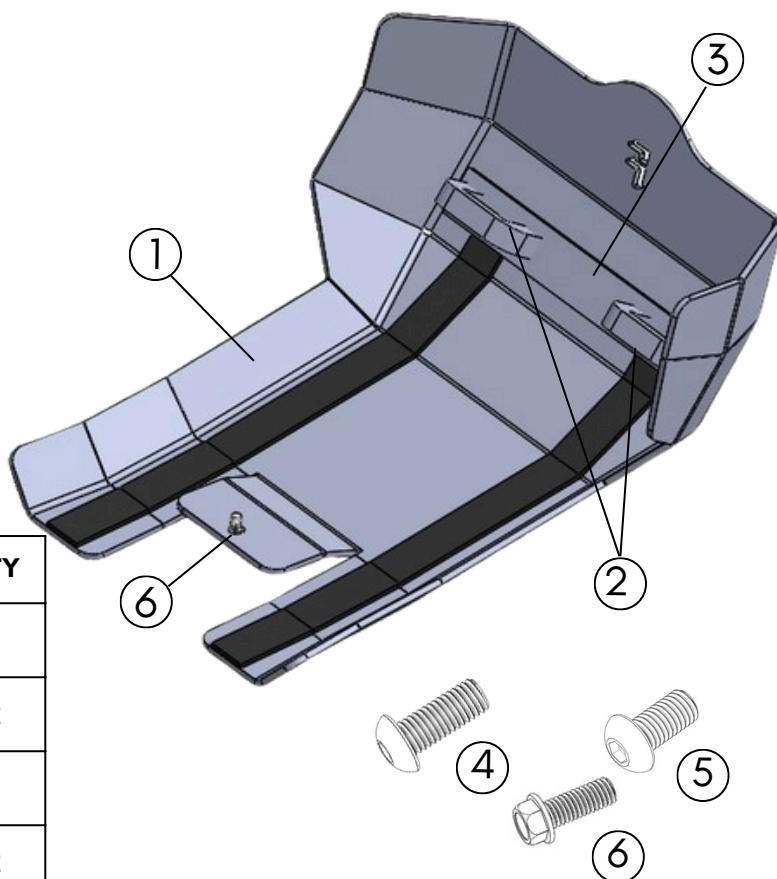
#### TOOLS REQUIRED

8mm Socket

5mm Allen Key

#### PARTS LIST

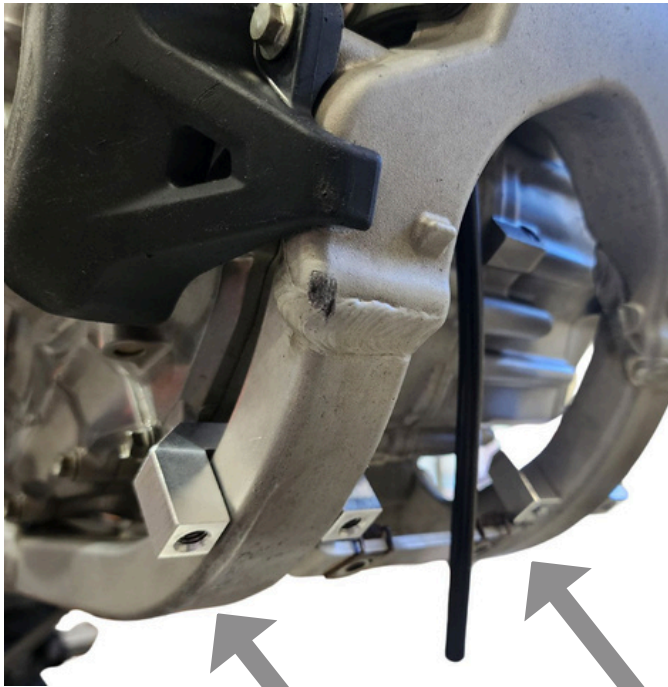
ITEM No.	DESCRIPTION	QTY
1	Bash Plate	1
2	U Clamp	2
3	Front Mounting plate	1
4	M8x25 Button Head Bolt	2
5	M8x16 Button Head Bolt	2
6	M6x16 Hex Head Washer Face	1



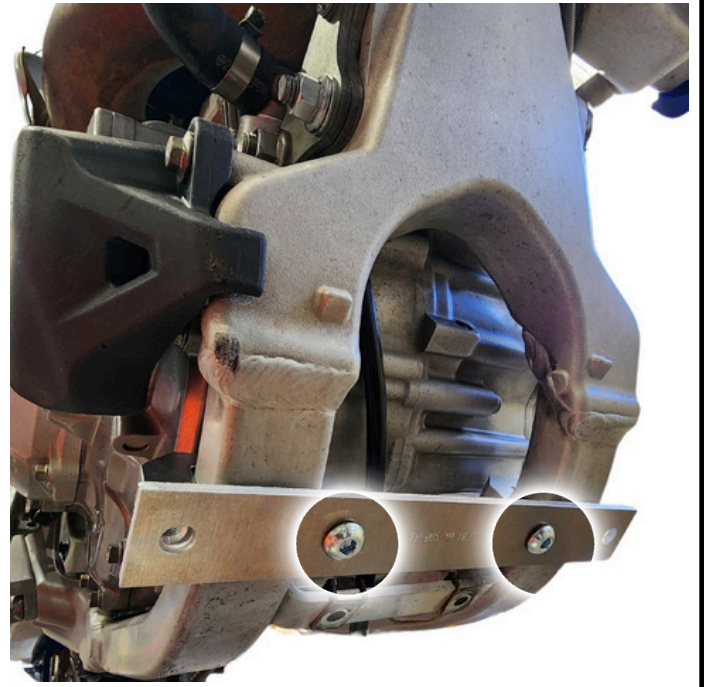
**HELP**



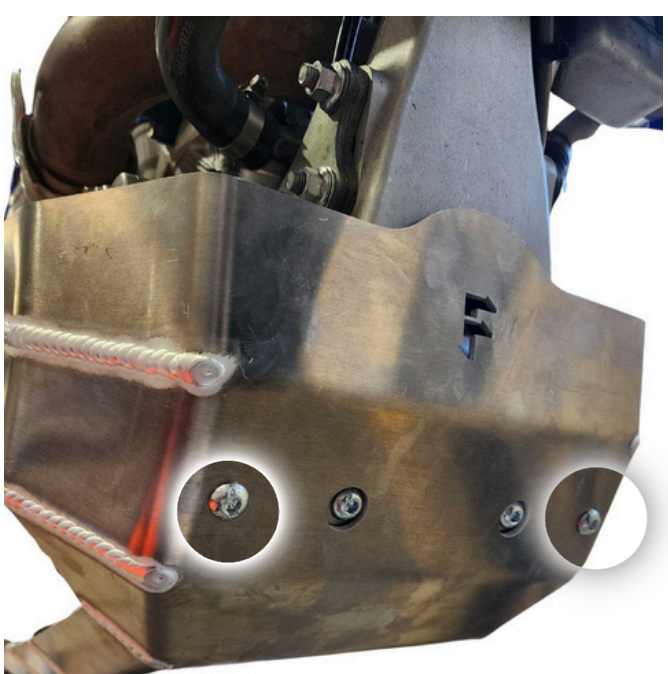
Need help with installation?  
Give us a call (03) 7045 4819



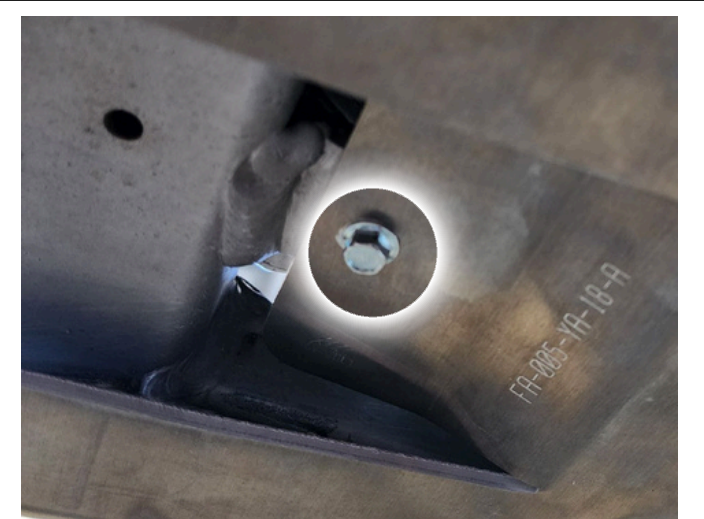
**1** PLACE U-clamps over the frame



**2** Using 2x M8x16 button head bolts, SECURE the mounting pate to the U-Clamps



**3** POSITION bash plate up to U-clamps and INSERT 2x M8x20 Button Head bolts through the bash plate and into the mounting pate. PUSH bash plate hard up against frame, then tighten.



**4** INSERT 1x M6x16 Bolt through rear of Bash Plate and TIGHTEN



**5** Tighten all bolts.