

FA FORCE ACCESSORIES

INSTALLATION GUIDE

BILLET RADIATOR GUARDS

FA-001-KT-13

KTM | SX-F XCF | 2016-2024

KTM | EXC XC | 2017-2024

HUSQ | FC FX TC | 2016-2024

HUSQ | TE FE | 2017-2024

GAS GAS | EC MC | 2021-2024

www.forceaccessories.com.au

PLEASE NOTE

After each ride, check all bolts are tightened firmly to ensure the product doesn't come loose

TOOLS REQUIRED

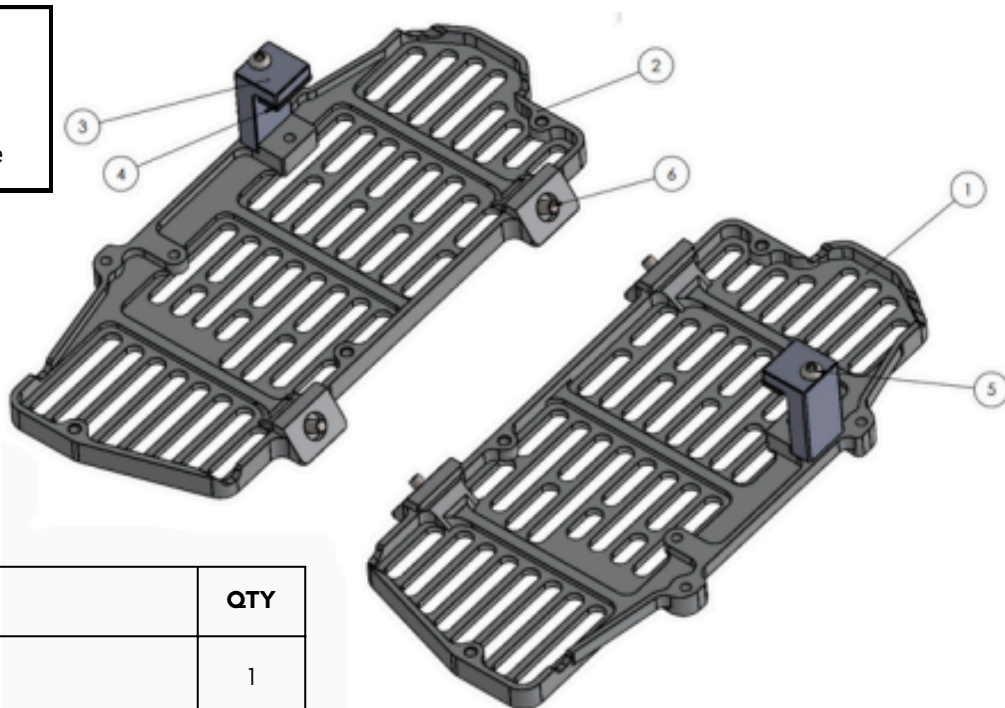
6mm Socket

8mm Socket

4mm Allen Key

PARTS LIST

ITEM No.	DESCRIPTION	QTY
1 + 2	FA-001-KT-13 SET - LEFT + RIGHT	1
3	PT-001-KT-13-C BILLET SUPPORT BRACKET (LEFT + RIGHT)	2
4	FOAM TAPE 10X25 - PRE INSTALLED	2
5	M6X55 BUTTON HEAD	2
6	M6X12 HEX HEAD BOLTS	4



Need help with installation?
Give us a call (03) 7045 4819

- ✓ **Seat**
- ✓ **Left and right radiator shrouds**
- ✓ **left and right radiator covers**

1 REMOVE these parts prior to fitting your new radiator guards



3 FIT and SECURE Left and Right support bracket from the back of the Radiator with a M6x55 Button Head Bolt supplied and into the Radiator Guard.



4 RE-FIT left and right radiator shrouds with original bolts through the new radiator guards. NOTE* these go in on a slight angle, be sure not to cross thread the bolt. RE-FIT Seat. TIGHTEN all bolts.



2 FIT and SECURE left and right radiator guards to frame with 2x M6x12 Hex Head bolts supplied



Tell us what you think... we're listening
sales@forceaccessories.com.au

OR LEAVE A REVIEW



WWW.FORCEACCESSORIES.COM.AU



Need help with installation?
 Give us a call (03) 7045 4819